


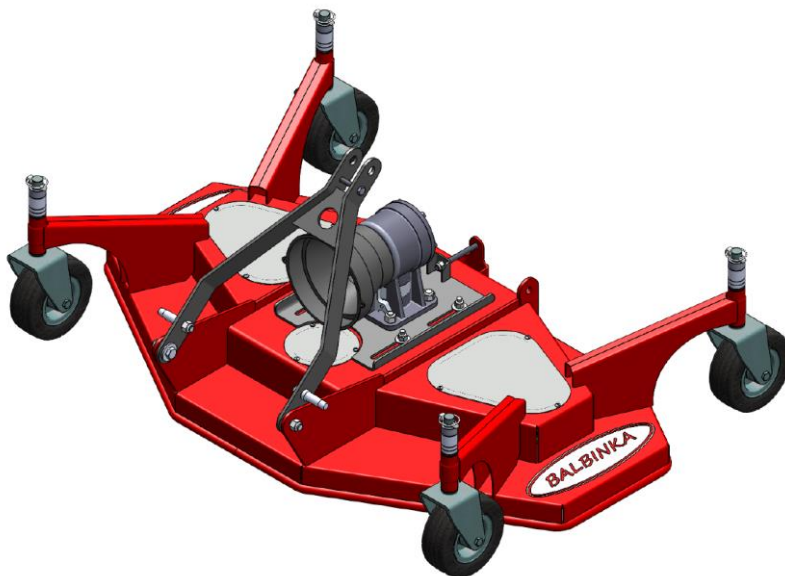
Edition/ actualisation date	<b>Product Card</b>		Page 1 from 2
2015-10-08 / 2015-10-08			
Name of the machine	<b>Cultivating mower BALBINKA</b>		

## Purpose

Cultivating mower BALBINKA is designed to mow grass on lawns, sport fields, golf courses, parks and gardens.

It is characterized by its simple and robust construction and reliable use.

Mower is hanged on three-point linkage system (category 1) and is driven by articulated telescopic shaft of the tractor's PTO. The three blades are driven by angular gear and two belts. Mower is based on four support wheels. Cutting height adjustment is done by changing the number and thickness of the pads which are based on the wheels.

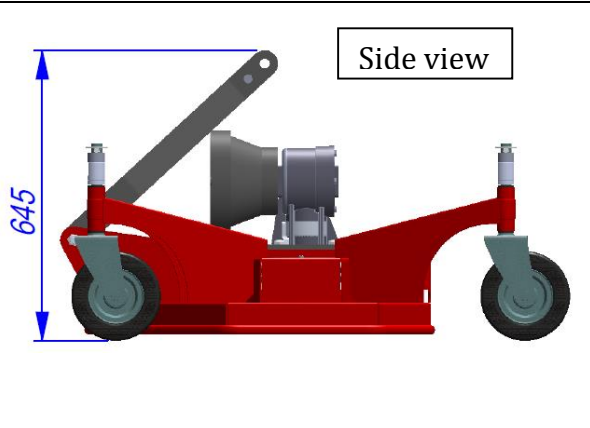
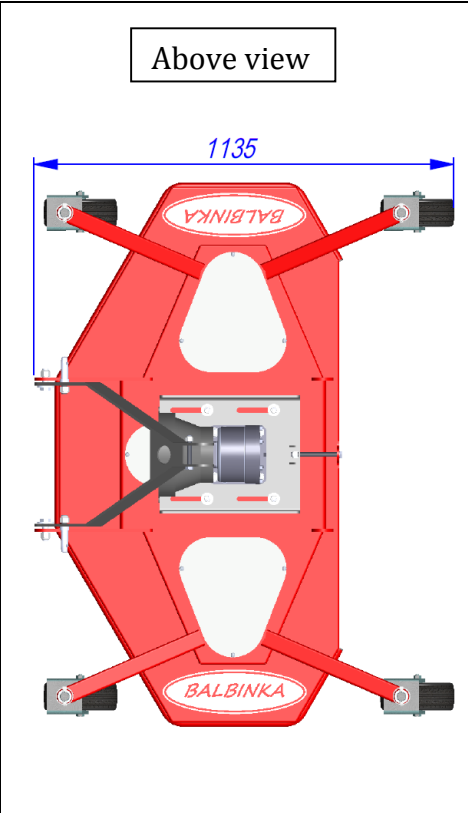
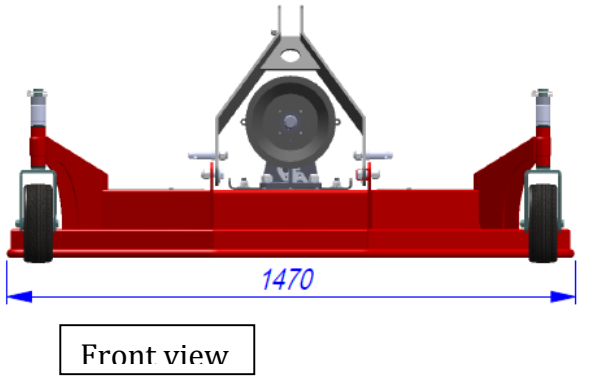


## Technical specifications

Mounting method	Three-point linkage from the back. Category 1
Drive	From the tractor PTO by articulated telescopic shaft and angular gear
PTO rotation	540 turns / min (left/right)
PTO	400 N/m
Slope mowing area	12 °
Working unit	3 rotors with replaceable blades
Number of replaceable blades	3
Cooperating tractor	Min 11.03 kW / 15 KM
Cutting width	1 400 mm
Cutting height	20 - 100 mm
Mowing height regulation	Manual by changing pad
Working speed	4 - 12 km / h
Width	1 470 mm
Length	1 135 mm
Height	830 mm
Wigth	130 kg

Edition/ actualisation date	<b>Product Card</b>		Page 2 from 2
2015-10-08 / 2015-10-08			
Name of the machine	<b>Cultivating mower BALBINKA</b>		

## Shipment data

Length	1 135 mm	 <p>Side view</p>	 <p>Above view</p>
Width	1 470 mm		
Height	645 mm	 <p>Front view</p>	