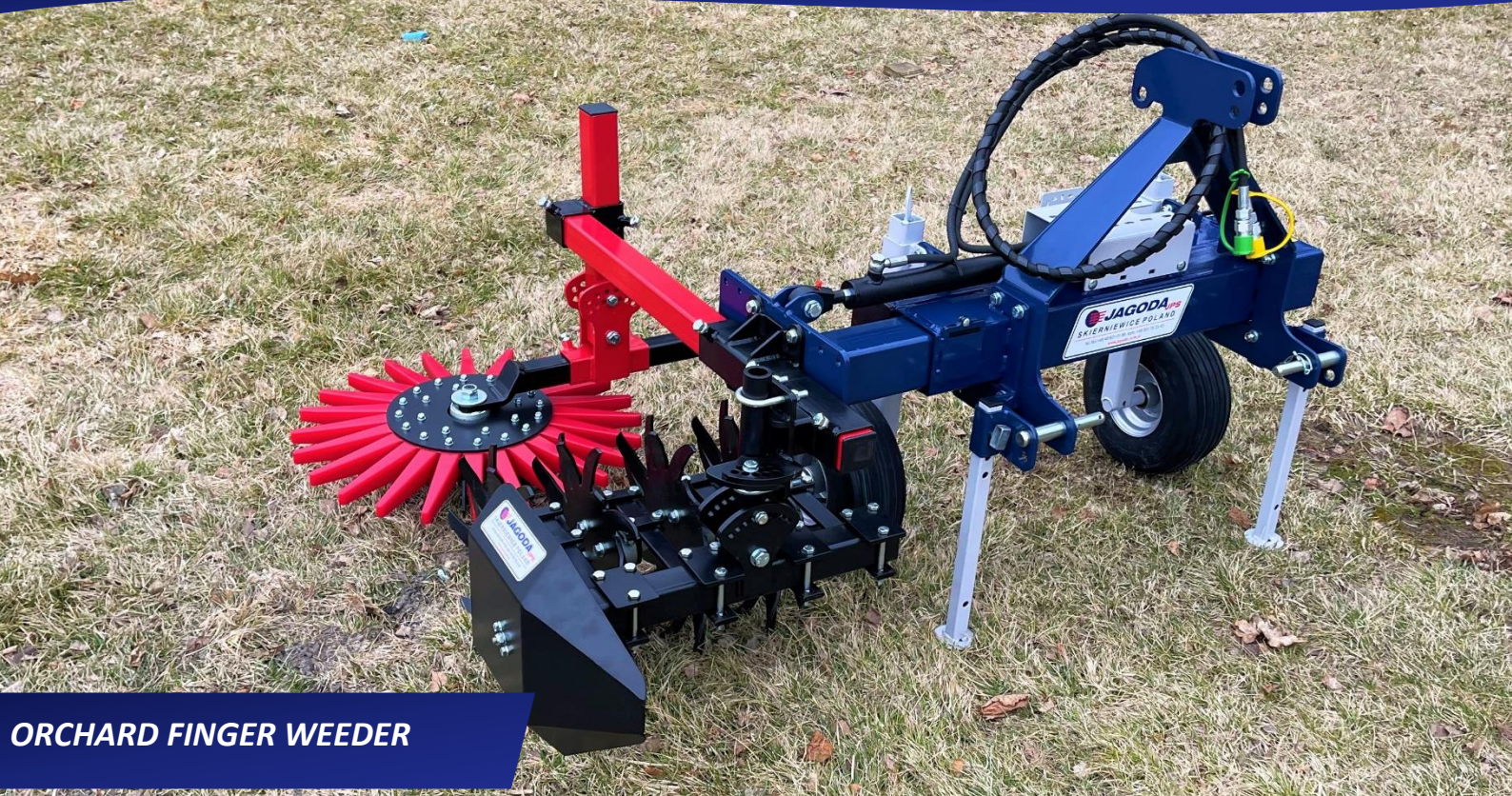


FINGER WEEDER KLAUDIA



ORCHARD FINGER WEEDER

Orchard finger weeder KLAUDIA is adapted to work in orchards and crops where side weeding is required and it is perfect for vineyards, orchards and berry fields.

✓ The finger head size is 700 mm and 540 mm with 3 different degrees of hardness (**Soft 80°**, **Medium 85°**, **Hard 90°**), which provides wider coverage of the cultivated soil.

✓ In addition, a cultivator with discs is placed in front of the cultivating finger head, thanks to which the soil is loosened before the finger weeder will cultivate, which increases the effectiveness of the head's operation.
Easy installation to add 3 or 4 discs for wide cultivating area

✓ The finger weeder has many features as the hydraulically adjustable width for use in crops with different row widths.

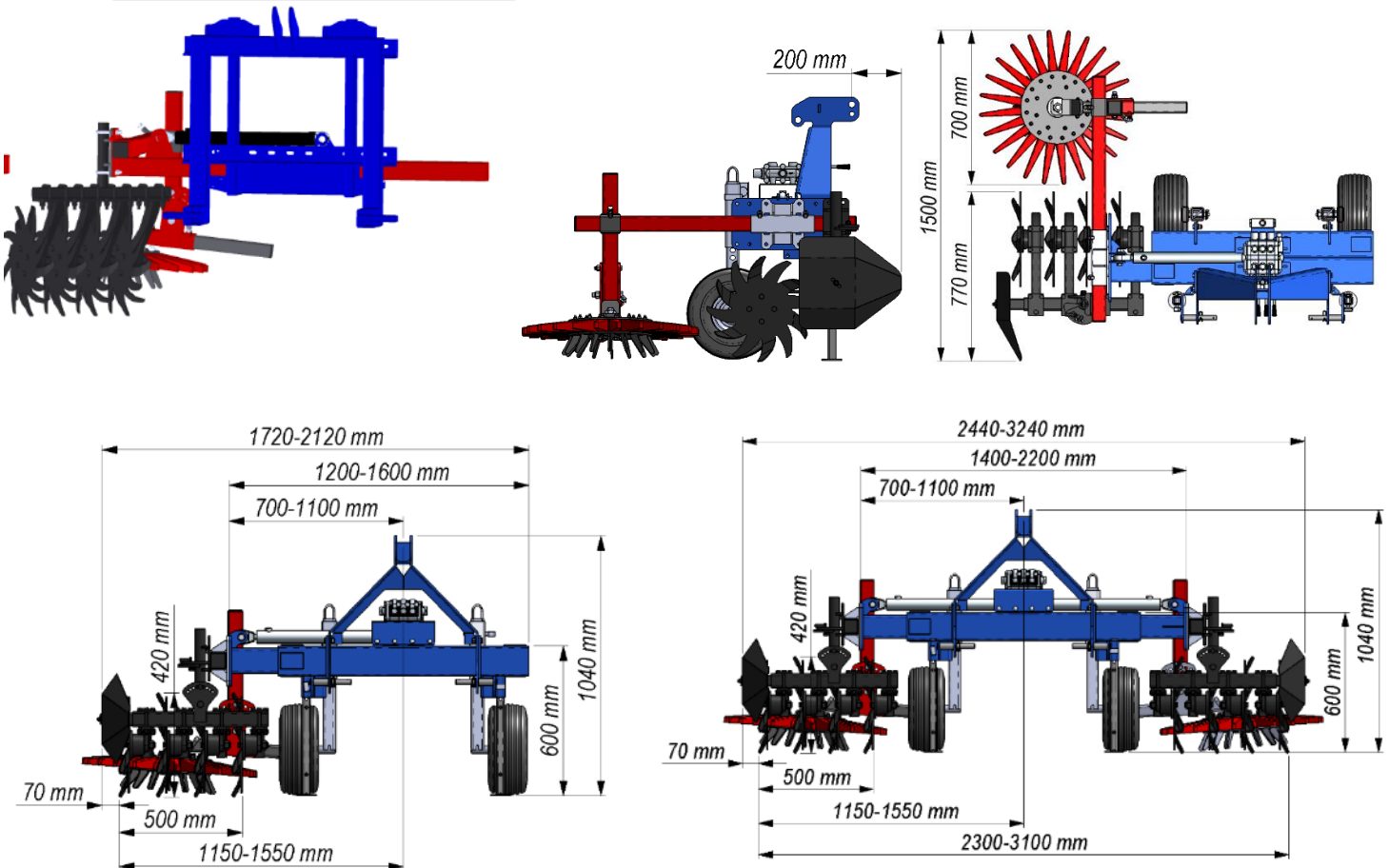
- The machine is mounted on the back of the tractor and it is powered by the tractor's hydraulics for regulating the width.
- Customized machine based on client needs



Version	Single-Sided X1	Double-Sided X2	Single -Sided S1	Double-Sided S2
Min Width (cm)	1 720 mm	2 300 mm	1550 mm (Not Adjustable)	2200 mm
Max Width (cm)	2 120 mm	3 100 mm	1 900 mm	3000 mm
No Of Disc Cultivator	2 x 3 x 4	2 x 3 x 4	2 x 3 x 4	2 x 3 x 4
Finger head Size	Ø 700 or Ø 540	Ø 700 or Ø 540	Ø 700 or Ø 540	Ø 700 or Ø 540
Working Speed	Up to 8 - 15 km/h	Up to 8 - 15 km/h	Up to 8 - 15 km/h	Up to 8 - 15 km/h
Working Height	1040 mm	1040 mm	150 cm	150 cm
Diameter of the disc	425 mm	425 mm	425 mm	425 mm
Transport Length	1500 mm	1500 mm	1100 mm	1100 mm
Mounting method (Rear & Front)	3-point Linkage	3-point Linkage	3-point Linkage	3-point Linkage
Weight	220 kg	340 kg	190 kg	310 Kg

Single-Sided S1 Narrow ROW

Single Sided X1 universal Frame



Video 1



Video 2

