


Edition/ actualisation date	Product Card		Page 1 from 4
2015-09-04 / 2015-09-04			
Name of the machine	Under-tree mower LUCEK		

Purpose

LUCEK is designed for mowing weeds in the rows of trees and shrubs.

The use of the under-tree mower can significantly reduce or even eliminate the use of herbicides in the production of orchard. This reduces the cost of maintenance and facilitates organic farming.

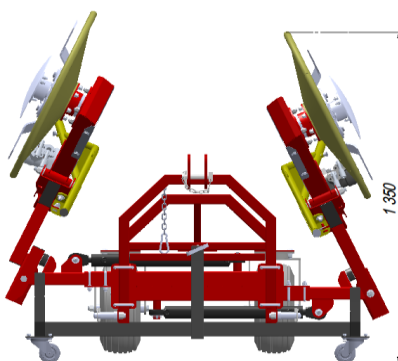
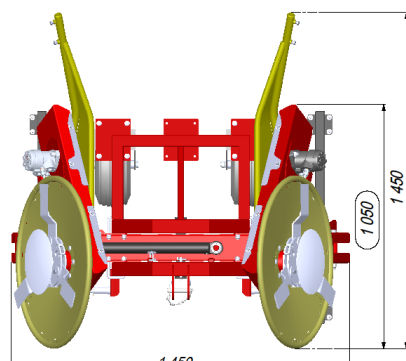



Version LUCEK DUO - rotators from the both sides

Technical specifications

Mounting method	Three-point linkage from the back. Category 2
Drive	From the tractor PTO. Working unit drive - hydraulic motor via a belt transmission
Working unit horizontally waved	The rotor with hinged blades covered by rotating shield: - 2 or 3 blades (depending on the version)
Extension of the cutting unit (working group)	The hydraulic cylinder controlled from the tractor's hydraulic
Set a working unit work-transport	Manual
Jump extension of the working unit	400
Cutting width	670 mm
Cutting height	30 mm
Capacity	0,8 - 1,8 ha / h
Working width	3 500 - 4 300 mm
Length	1 760 mm
Height	810 mm
Weight	290 kg

Shipment data

Length	1 450 / 1 050 mm	<div style="text-align: center;">Back view</div> 	<div style="text-align: center;">Above view</div> 
Width	1 450 mm		
Height	1 350 mm		

Edition/ actualisation date	Product Card		Page 2 from 4
2015-09-04 / 2015-09-04			
Name of the machine	Under-tree mower LUCEK		

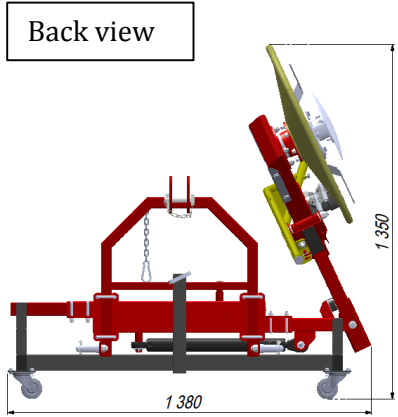
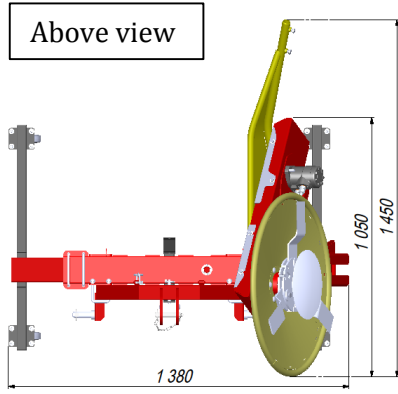
Version LUCEK - 1 rotator from the right side




Technical specifications

Mounting method	Three-point linkage from the back. Category 2
Drive	From the tractor PTO. Working unit drive - hydraulic motor via a belt transmission
Working unit horizontally waved	The rotor with hinged blades covered by rotating shield: - 2 or 3 blades (depending on the version)
Extension of the cutting unit (working group)	The hydraulic cylinder controlled from the tractor's hydraulics
Set a working unit work-transport	Manual
Jump extension of the working unit	400
Cutting width	670 mm
Cutting height	30 mm
Capacity	0,5 - 1,0 ha / h
Working width	2 200 mm
Length	1 760 mm
Height	810 mm
Weight	130 kg

Shipment data

Length	1 450 / 1 050 mm		
Width	1 380 mm		
Height	1 350 mm		

Edition/ actualisation date	Product Card		Page 3 from 4
2015-09-04 / 2015-09-04			
Name of the machine	Under-tree mower LUCEK		

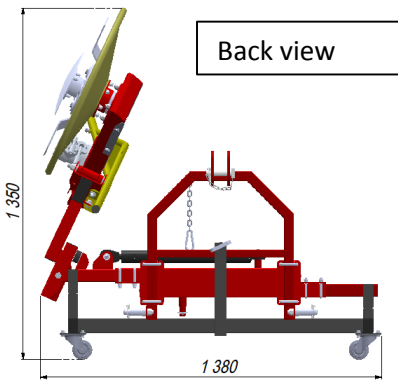
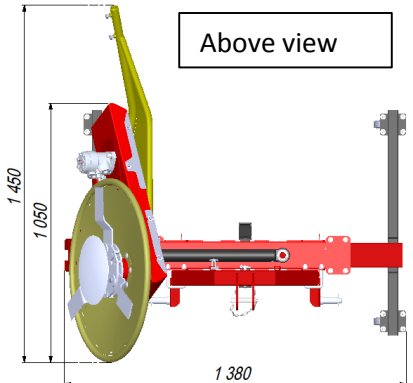
Version LUCEK - 1 rotator from the left side




Technical specifications

Mounting method	Three-point linkage from the back. Category 2
Drive	From the tractor PTO. Working unit drive - hydraulic motor via a belt transmission
Working unit horizontally waved	The rotor with hinged blades covered by rotating shield: - 2 or 3 blades (depending on the version)
Extension of the cutting unit (working group)	The hydraulic cylinder controlled from the tractor's hydraulics
Set a working unit work-transport	Manual
Jump extension of the working unit	400
Cutting width	670 mm
Cutting height	30 mm
Capacity	0,5 - 1,0 ha/h
Working width	2 200 mm
Length	1 760 mm
Height	810 mm
Weight	130 kg

Shipment data

Length	1 450 / 1 050 mm		
Width	1 380 mm		
Height	1 350 mm		

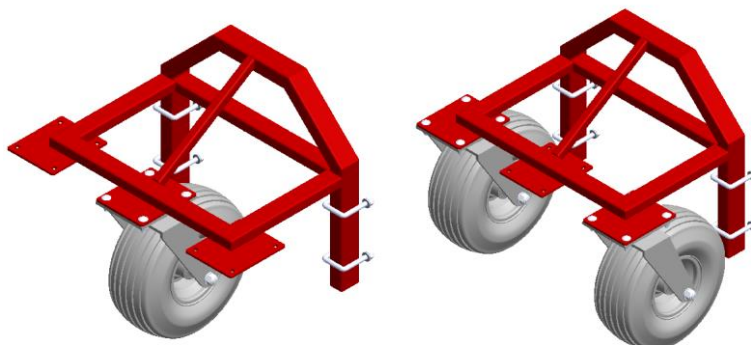
Edition/ actualisation date	Product Card		Page 4 from 4
2015-09-04 / 2015-09-04			
Name of the machine	Under-tree mower LUCEK		

Optional equipment for the version:

- LUCEK – 1 rotator from the right side
- LUCEK – 1 rotator from the left side

Supporting wheels unit in steering casing:

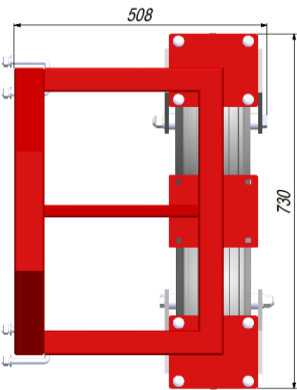
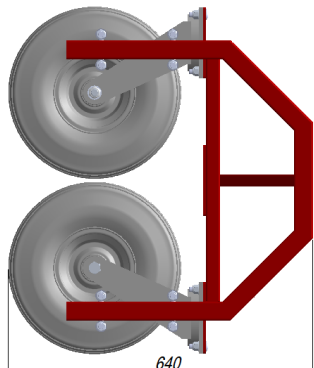
- 1 wheel
- 2 wheel



Technical specifications

Mounting method	Set of screw clamps
Supporting wheels unit in steering casing: one wheel	
Width	730 mm
Length	490 mm
Height	640 mm
Weight	34 kgs
Supporting wheels unit in steering casing: two-wheels	
Width	810 mm
Length	490 mm
Height	640 mm
Weight	49 kgs

Shipment data

Length	508 mm	<div style="text-align: center;">Above view</div> 	<div style="text-align: center;">Back view</div> 
Width	730 mm		
Height	640 mm		