
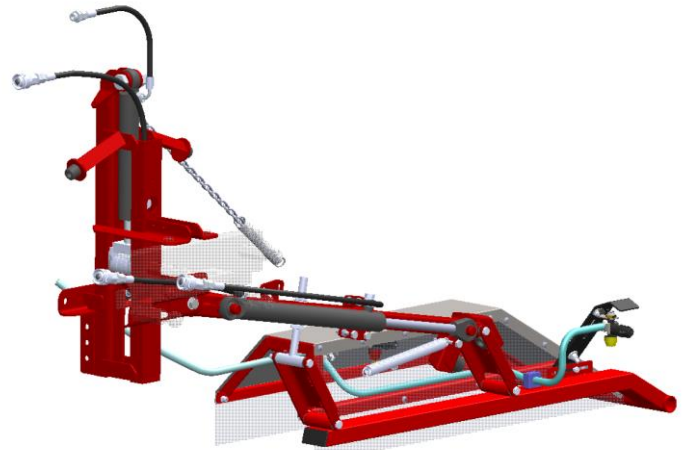


Edition/ actualisation date	Product Card		Page 1 from 2
2014-10-07 / 2015-09-18			
Name of the machine	Herbicide beam TEKLA		

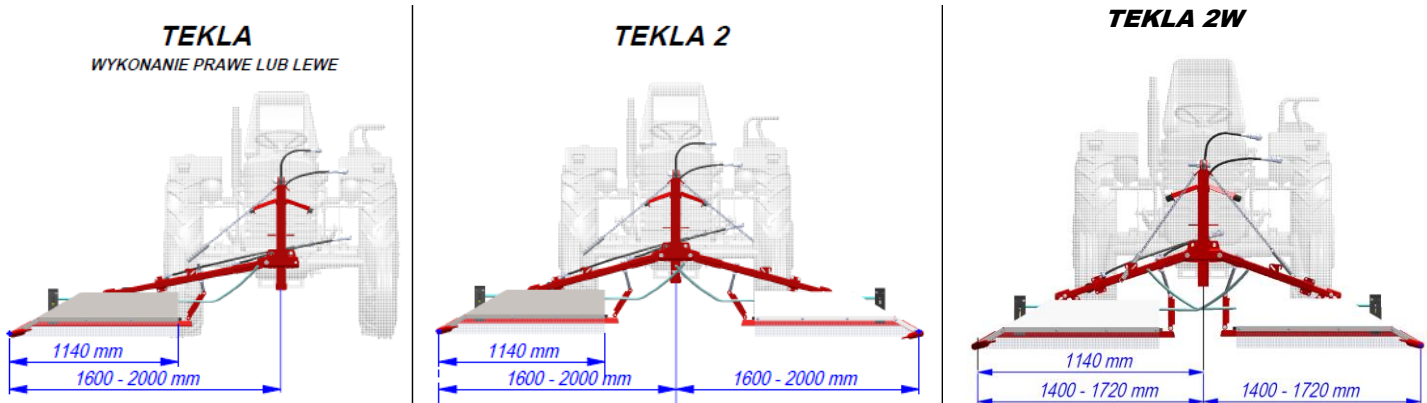
Purpose

Herbicide beam TEKLA is designed to destroy weeds under bushes in the plantations. TEKLA is attached in front of the tractor. The hydraulic system allows for ejecting the working part, depending on the width of rows and lifting the beam for the transport position. The working part of the beam is pivotally attached to the carrier part and is pressed against the base of the bush by a spring. The second spring relieves the whole working unit.

Two high-quality sprayers (symmetric and asymmetric) are mounted under cover made of stainless steel. The front and back covers are extended by flexible, transparent apron up to the ground. In addition, in the back of the beam third atomizer (asymmetric) is mounted what allows injection of herbicide into the middle of the bush.




TEKLA versions

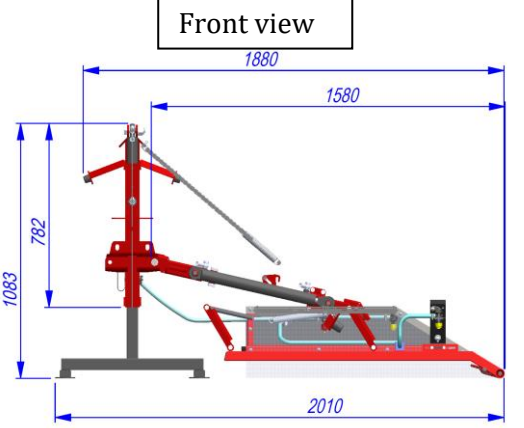
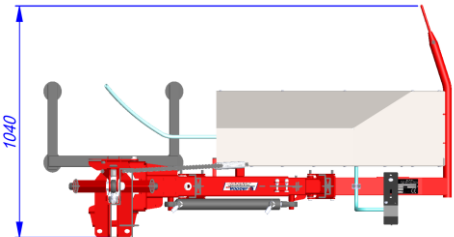


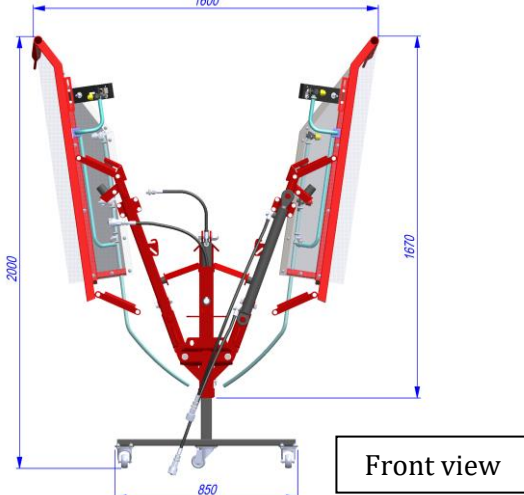
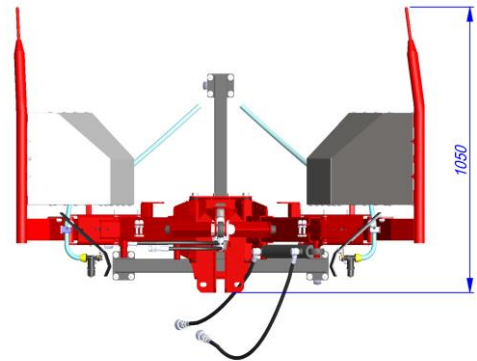
Technical specifications

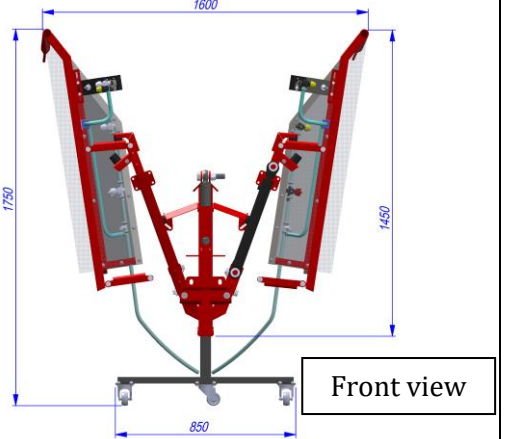
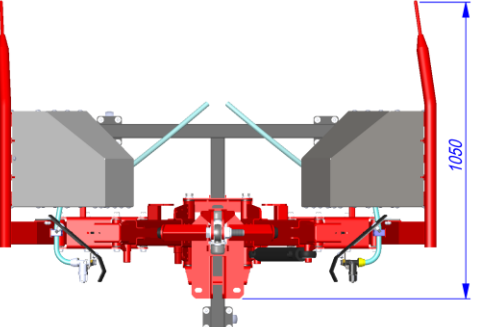
	TEKLA	TEKLA 2	TEKLA 2W
Attaching to the tractor	Bracket for the appropriate tractor with a common post for cutter (FORMER)		
Injecting working part	hydraulic / mechanic		
Lifting the working part	hydraulic		
Length without bracket	1 050 mm		
Min working width.	1 600 mm	2 x 1 600 mm	2 x 1 400 mm
Max working width.	2 000 mm	2 x 2 000 mm	2 x 1 720 mm
Working height	1 150 mm		
Spray width	1 140 mm		
Spray pressure	2 - 4 bar		
Weight	75 kg	125 kg	120 kg
Working speed	Up to 10 km/h		
Working capacity	0,5 - 1,0 ha/h	1,0 - 2,0 ha/h	

Edition/ actualisation date 2014-10-07 / 2015-09-18	Product Card		Page 2 from 2
Name of the machine	Herbicide beam TEKLA		

Shipment data

		TEKLA left / right version	
Length	1 040 mm	 <p style="text-align: center;">Front view</p>	 <p style="text-align: center;">Above view</p>
Width	2 010 mm		
Height	1 083 mm		

		TEKLA 2	
Length	1 050 mm	 <p style="text-align: center;">Front view</p>	 <p style="text-align: center;">Above view</p>
Width	1 600 mm		
Height	2 000 mm		

		TEKLA 2-W	
Length	1 050 mm	 <p style="text-align: center;">Front view</p>	 <p style="text-align: center;">Above view</p>
Width	1 600 mm		
Height	1 750 mm		