


Edition/ actualisation date	Product Card		Page 1 from 2
2015-10-01 / 2015-10-01			
Name of the machine	Cultivating mower ZILLA		

Purpose

ZILLA nursing mower is designed to mow grass on lawns, sports fields, golf courses, parks and gardens



ZILLA is designed to work with micro tractors that have a three-point linkage system Category I and PTO.

The main structural component of the lawnmower is a steel body which is also the cover of the cutting knives. The two blades are attached to the ends of the rotor through angular gear. Mower is based on four running wheels in their swivel casings.

The body of the mower can be mounted on the drive chassis to get a side or rear discharge of the mowing grass.

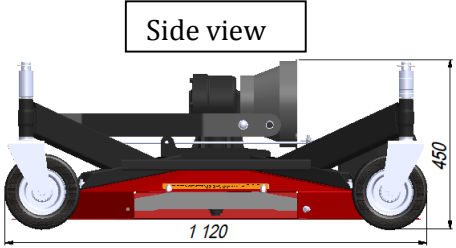
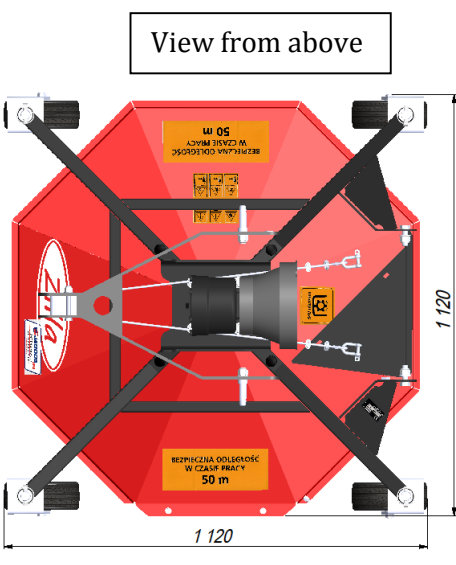
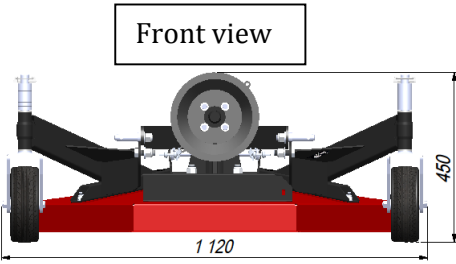


Technical specifications

Mounting method	Three-point linkage from the back. Category 1
Drive	From the tractor PTO by articulated telescopic shaft and angular gear
PTO rotation	540 turns / min (left/right)
Slope mowing area	12 °
Working unit	The rotor with replaceable blades
Number of replaceable blades	2
Wheels	In the swivel casing
Cutting height regulation	Spacers (washers) on the axis of support wheels
Ejection mowing grass choice	Manually by changing the appropriate position and mounting the body mower chassis and change of a cover type
Ejection mown grass shield	Type: Right / Left / Rear
Cooperating tractor	Min 10/13,6 kW/KM
Cutting width	1 016/49 mm/inch
Cutting height	25 - 100 mm
Mowing height regulation	Manual by supporting wheel and the tractor's hydraulic lift
Working speed	7 km / h
Working width	1 330 mm
Length	1 200 mm
Height	850 mm
Weight	85 kgs

Edition/ actualisation date	Product Card		Page 2 from 2
2015-10-01 / 2015-10-01			
Name of the machine	Cultivating mower ZILLA		

Dispatch data

Lenght	1 120 mm	 <p>Side view</p>	 <p>View from above</p>
Width	1 120 mm	 <p>Front view</p>	
Height	450 mm		